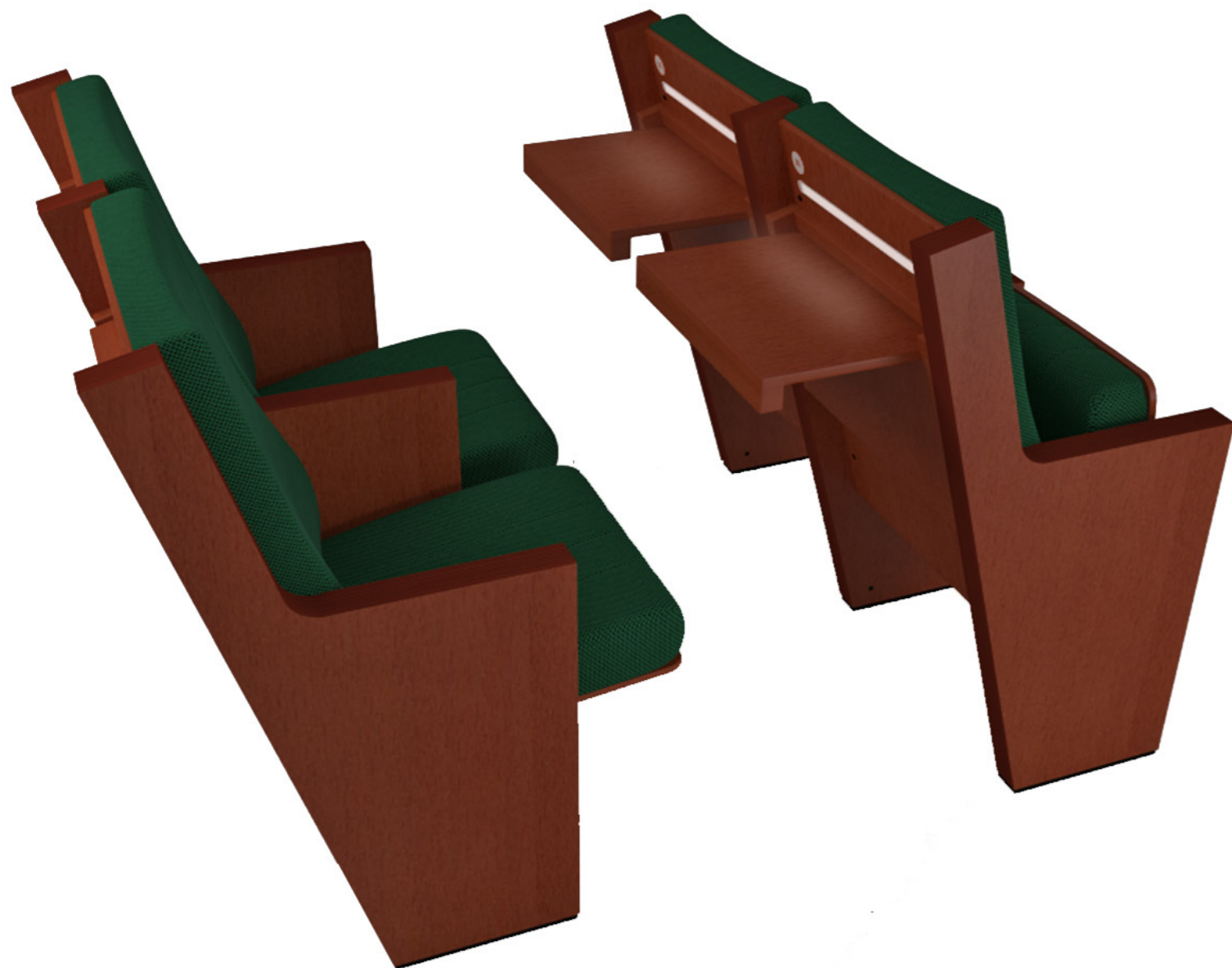


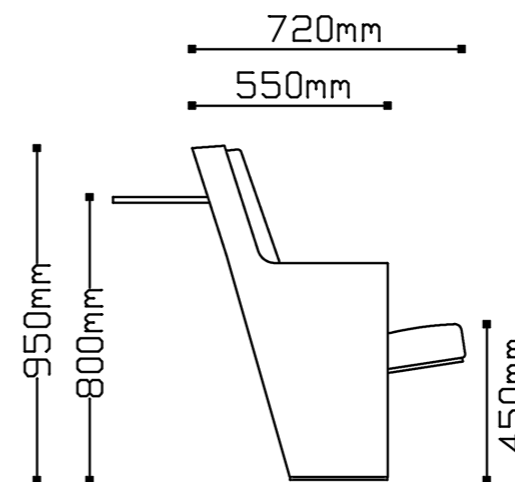
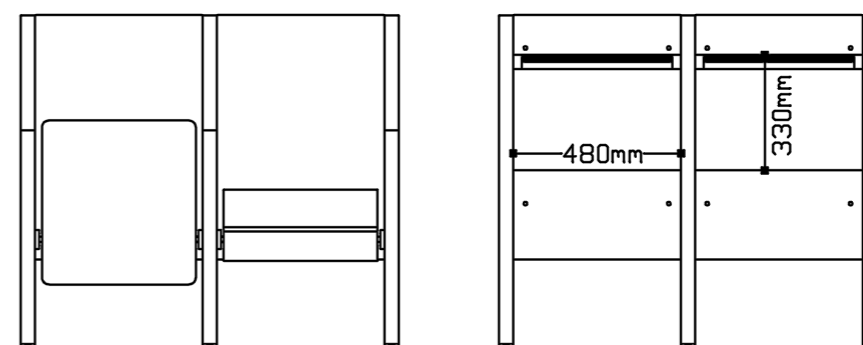
Model Náutico W-MT



Model Náutico W-MT



510/540mm.



■ Writing tablet

